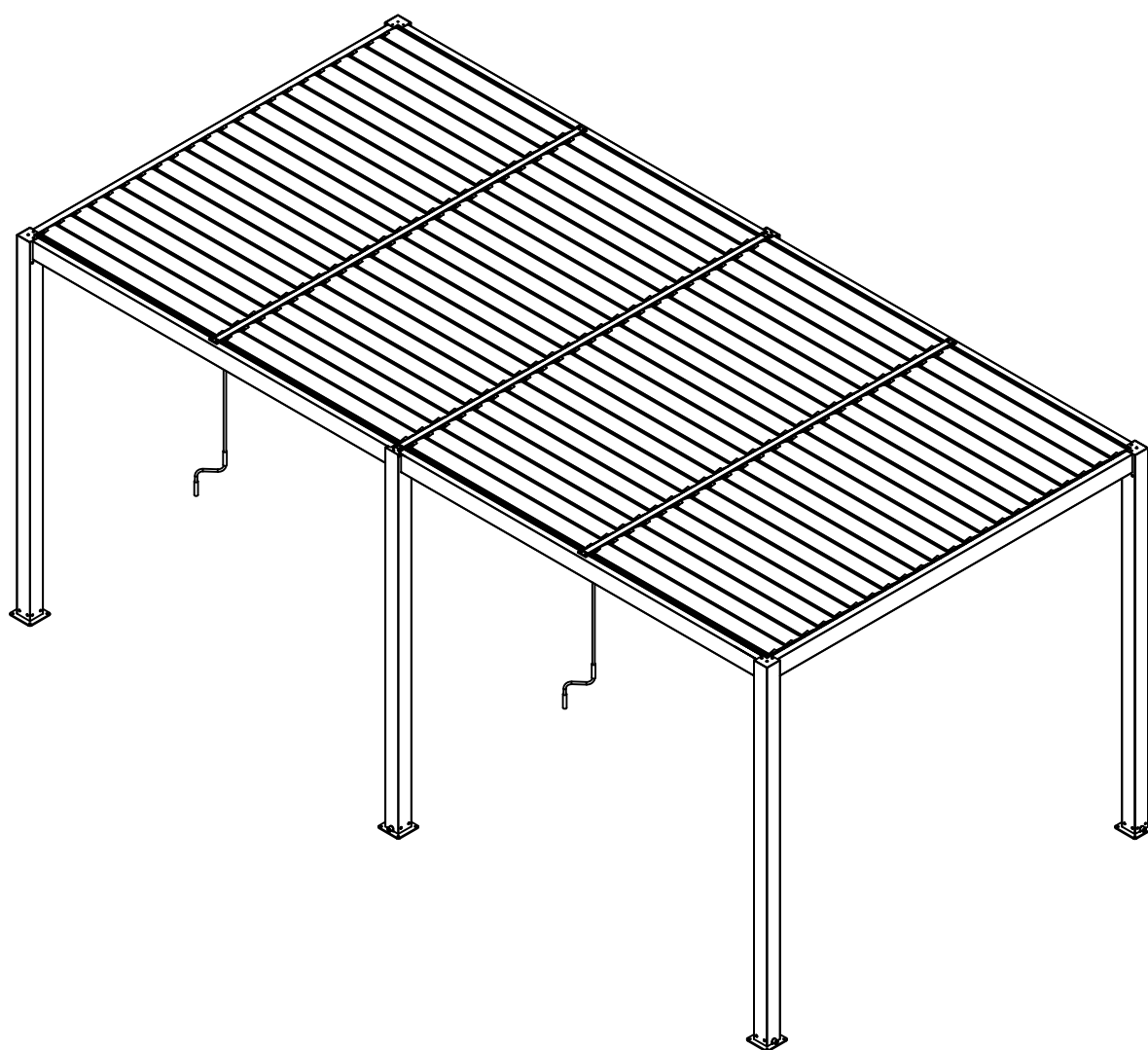


**DANCOVER<sup>®</sup>**



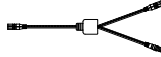
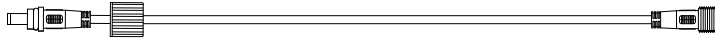
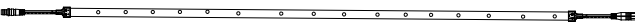
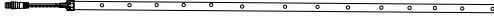
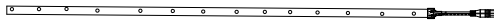





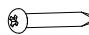

**.com**

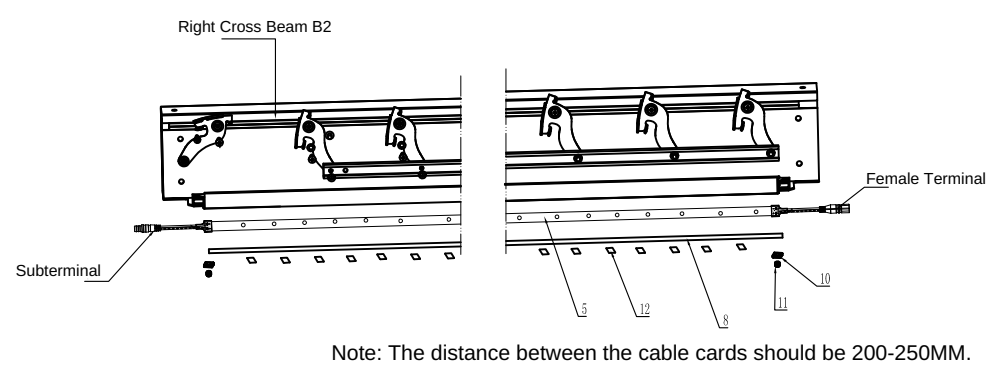
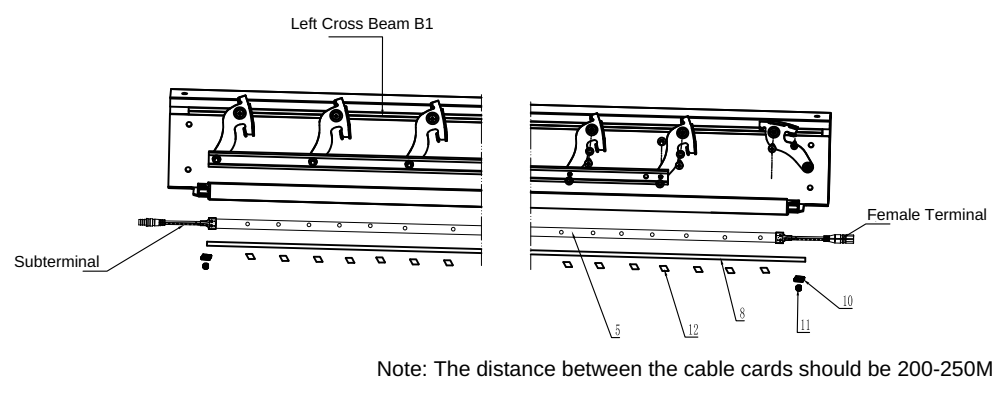
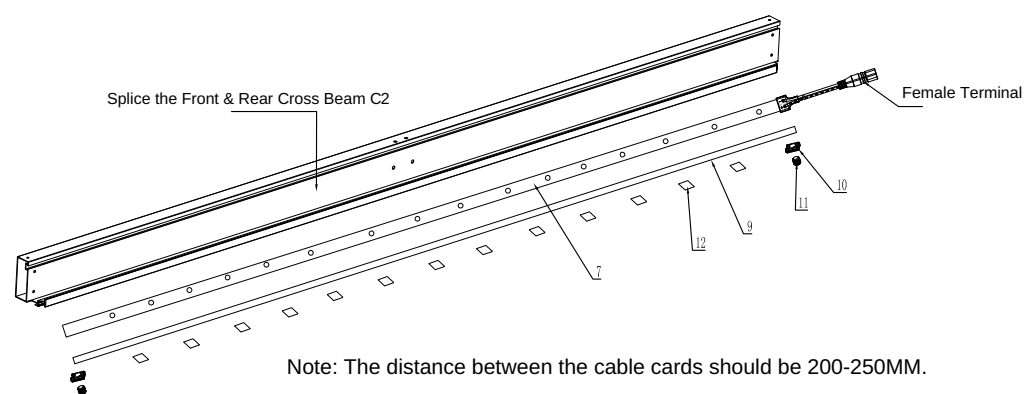
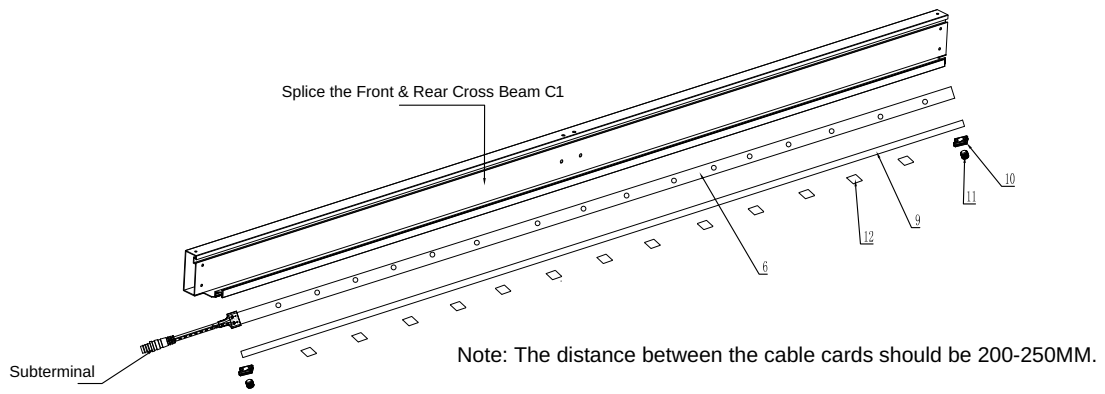
Manual  
for  
LED Light  
for  
Pergola Gazebo San Pablo  
3x5,8m and 4x5,8m

# Installation Instructions for LED Light for Pergola Gazebo San Pablo 3x5,8m and 4x5,8m

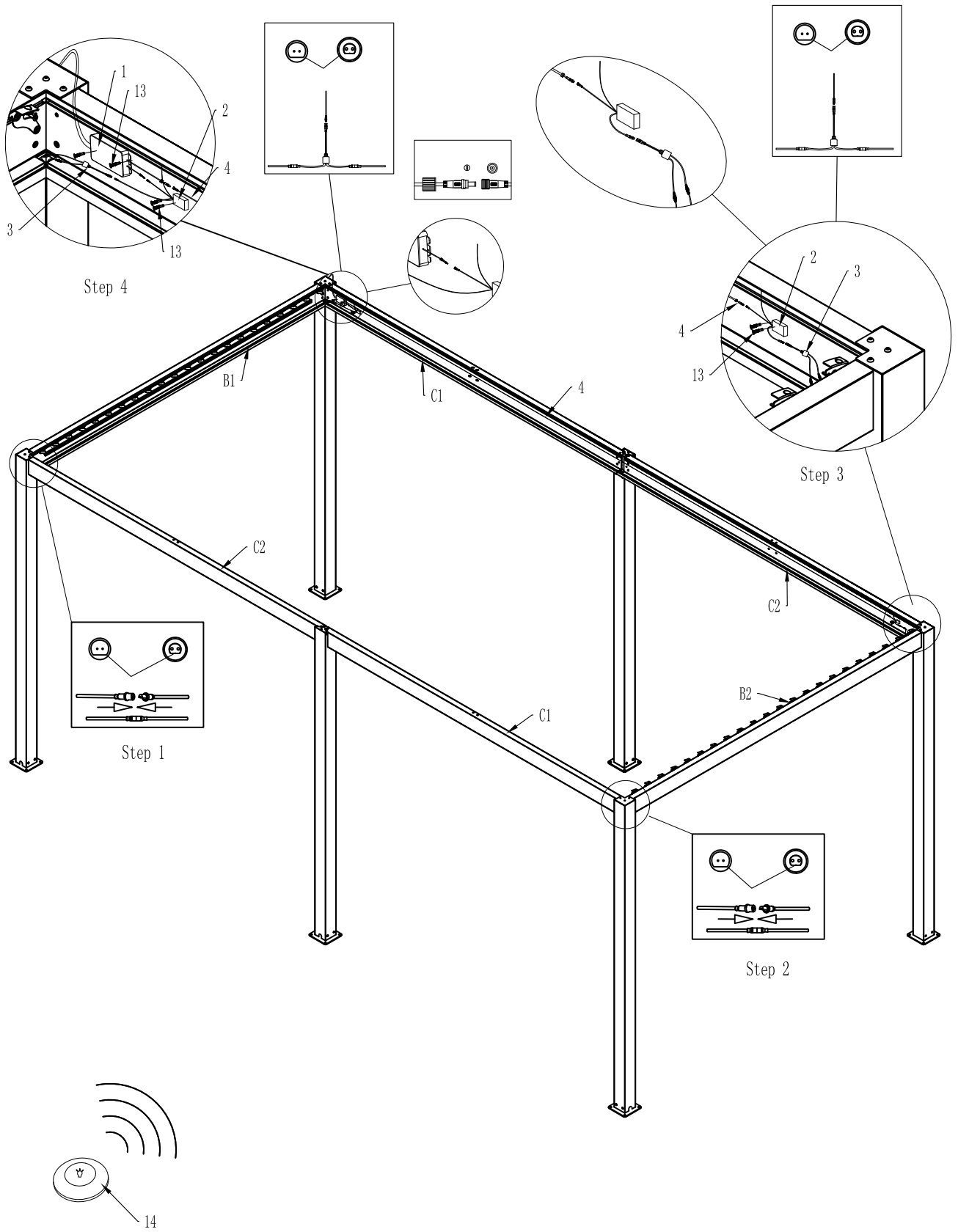


# Part List

No.	Component Name	Component Diagram	Quantity
1	12V Switching Power Supply & Controller Power Cords & Power Cords	 double-headed	1
2	LED Controller & LED Power Cord 500MM		2
3	8400 Three-Way		2
4	Two Core Coaxial Extension Cord with Male & Female Ends		1
5	Strip 1		2
6	Strip 2		2
7	Strip 3		2
8	Lampshade 1		2
9	Lampshade 2		4
10	Cable Press Block		12
11	Cable Press Block Screw		12
12	Cable Card		5.8*3M 60 5.8*4M 66 7.8*3M 72 7.8*4M 78
13	Cross-recessed Self Drilling & Tapping Screw	 ST4, 2*25	6
14	Single Key Remote		1



Install the switch power supply and controller, and connect the LED strip. After connecting the strip, connect it to the power source and adjust the single key remote 14 to change the brightness of the strip. The installation is complete.



## Contact information

Austria



Belgium



Croatia



Denmark



Estonia



Finland



France



Germany



Ireland



Italy



Latvia



Lithuania



Nederland



Norway



Poland



Portugal



Spain



Sweden



Switzerland



UK

