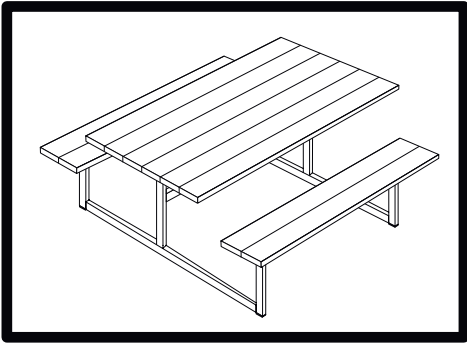


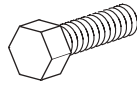
DANCOVER[®]

.com

Manual
for
Picnic Table
1,4x1,75m

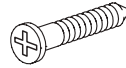


A



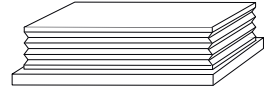
x4

B



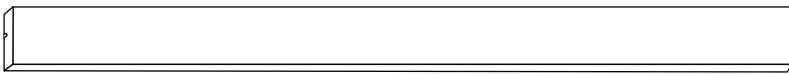
x100

C



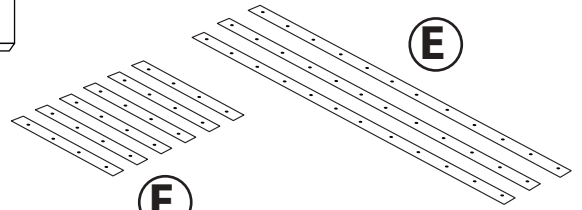
x4

D

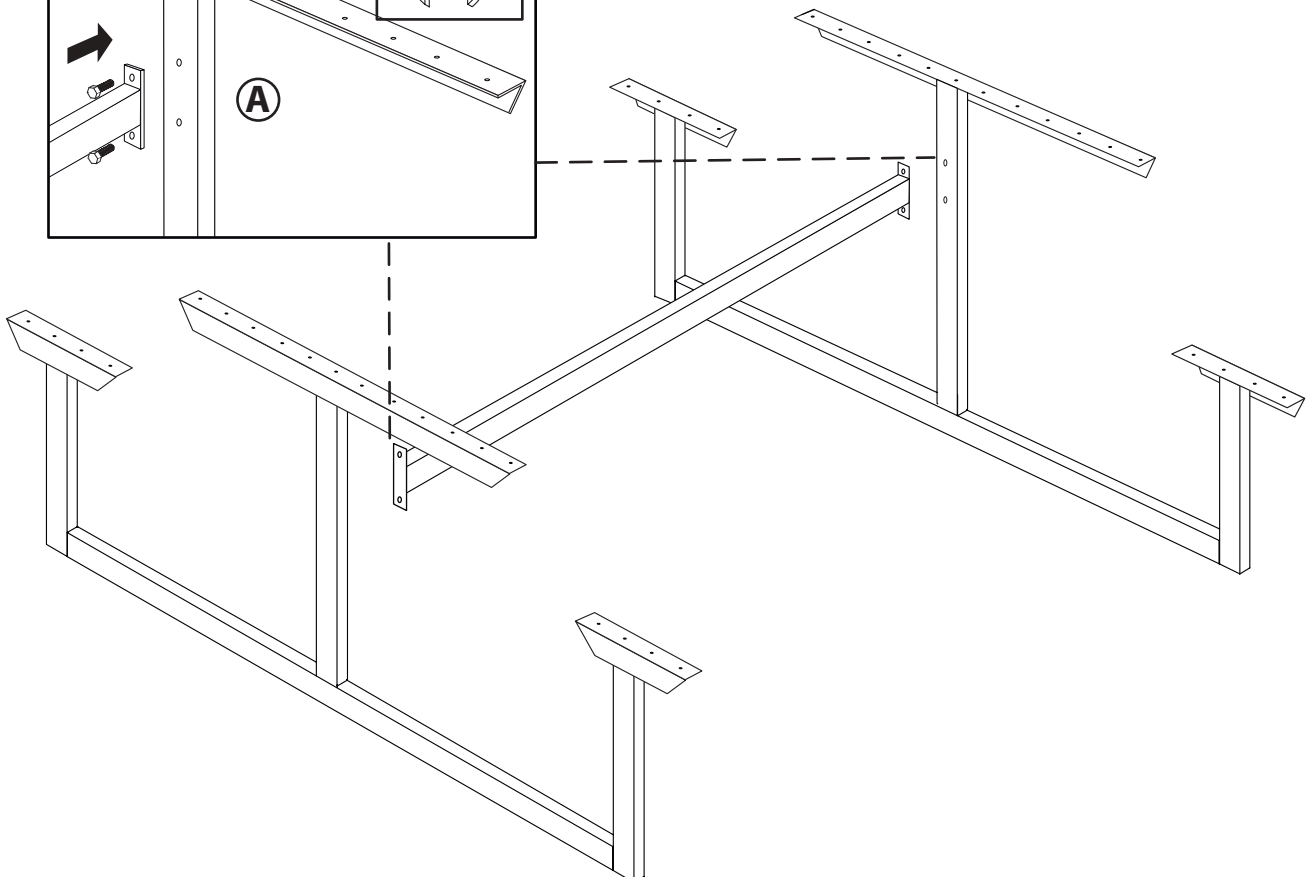
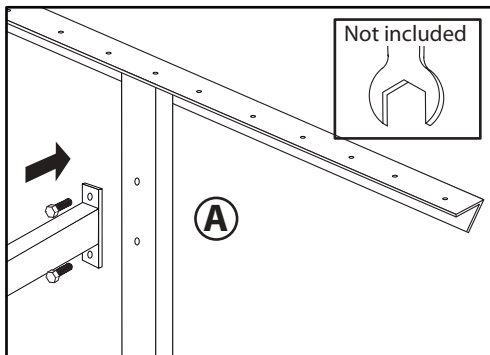


x10

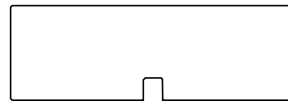
E



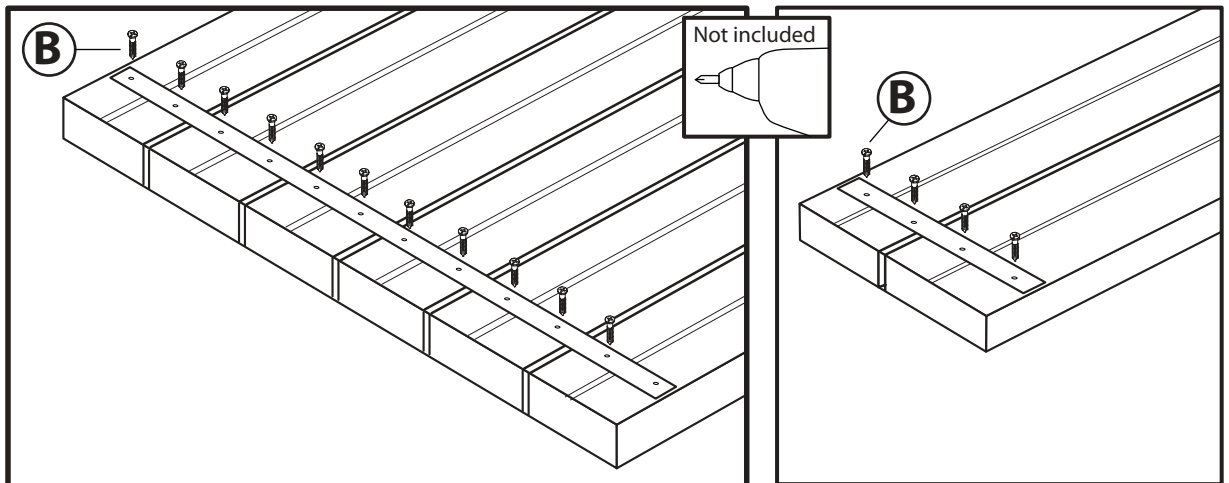
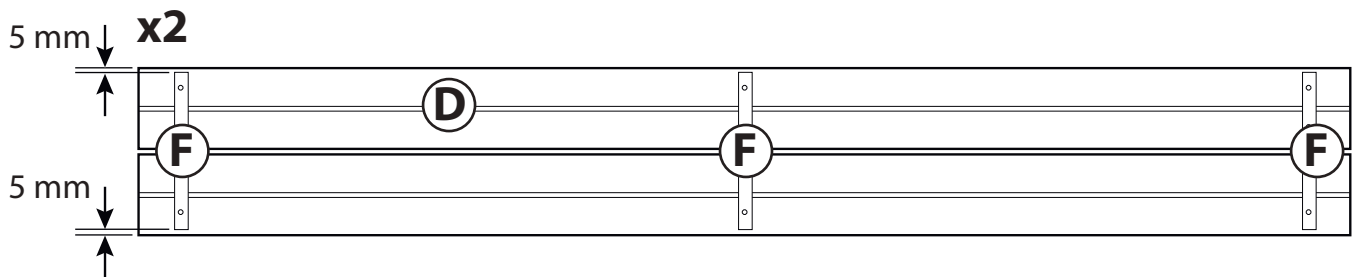
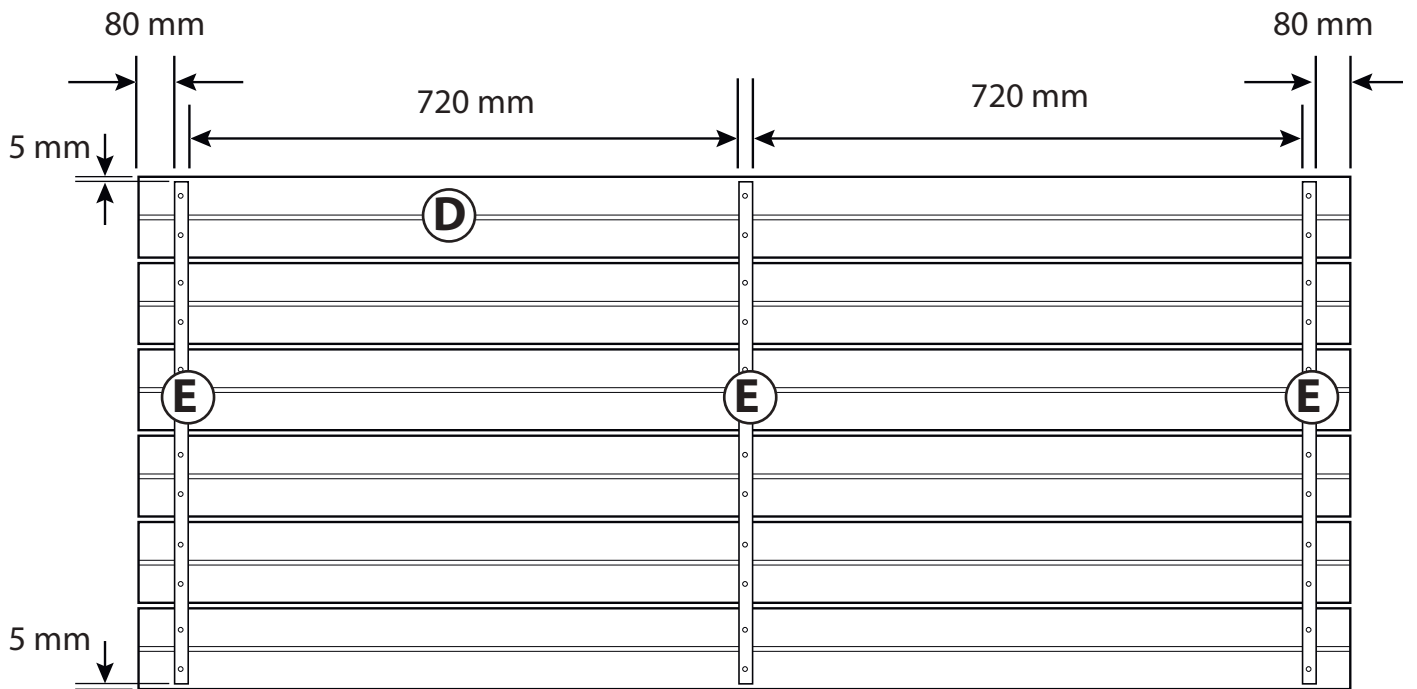
F

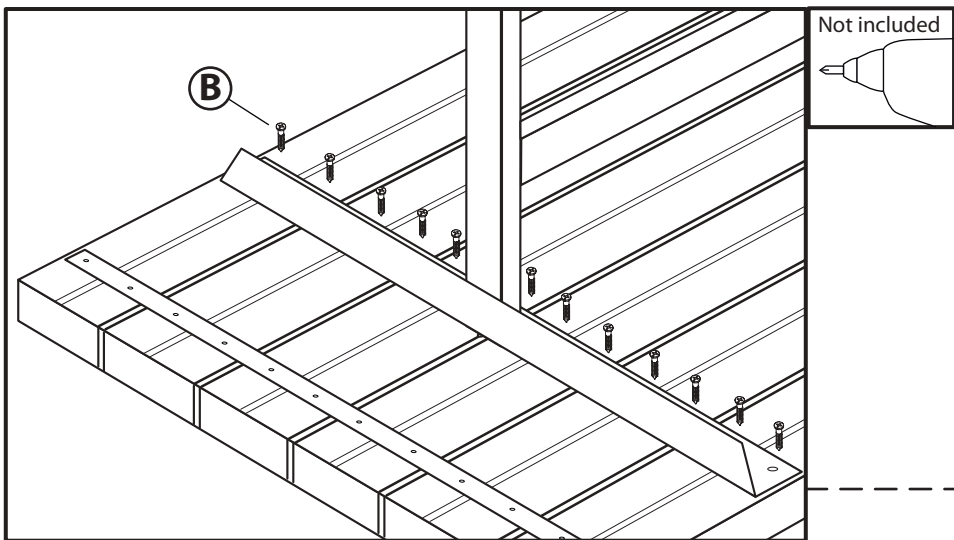
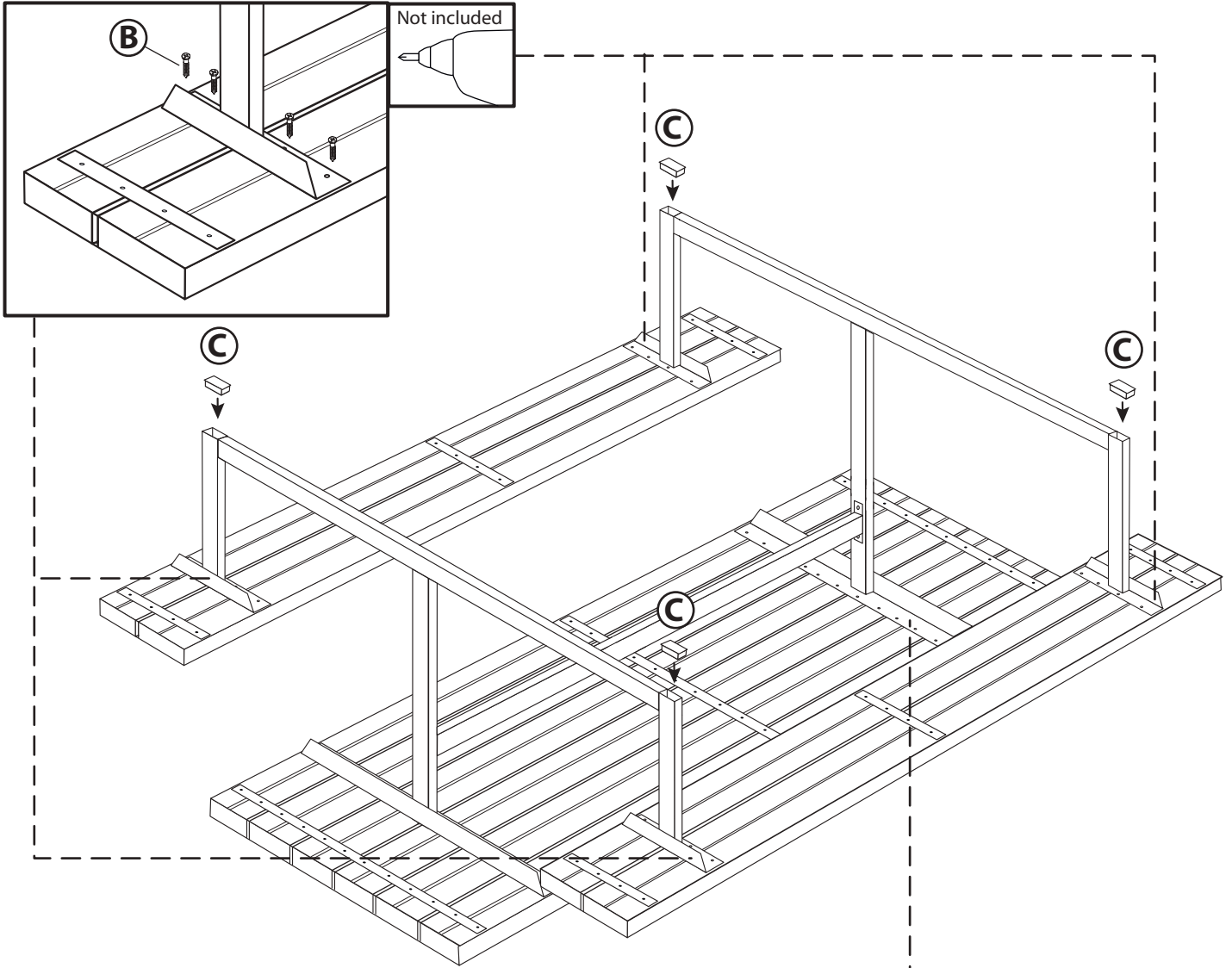


UPSIDE



DOWNSIDE





Contact information

Austria



Belgium



Croatia



Denmark



Estonia



Finland



France



Germany



Ireland



Italy



Latvia



Lithuania



Nederland



Norway



Poland



Portugal



Spain



Sweden



Switzerland



UK

